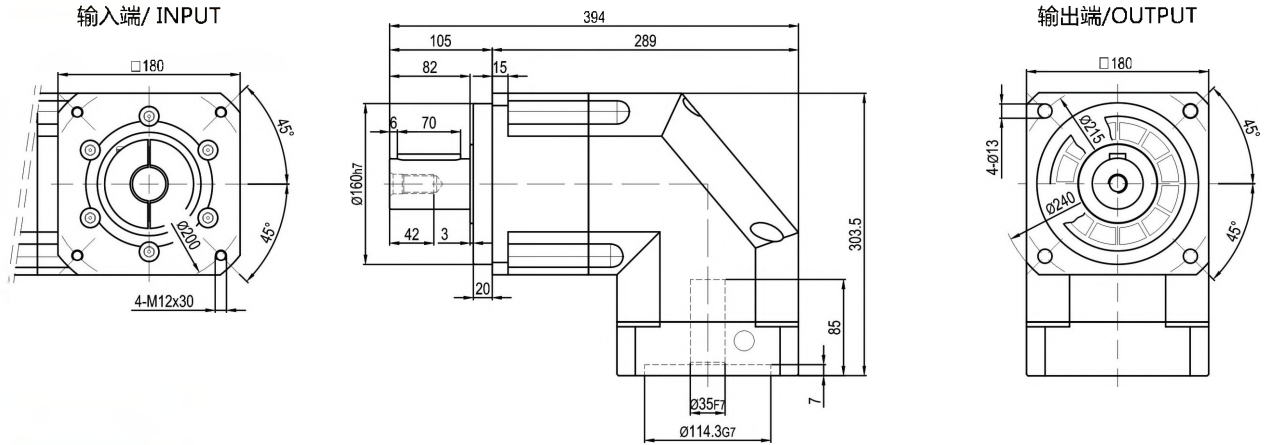
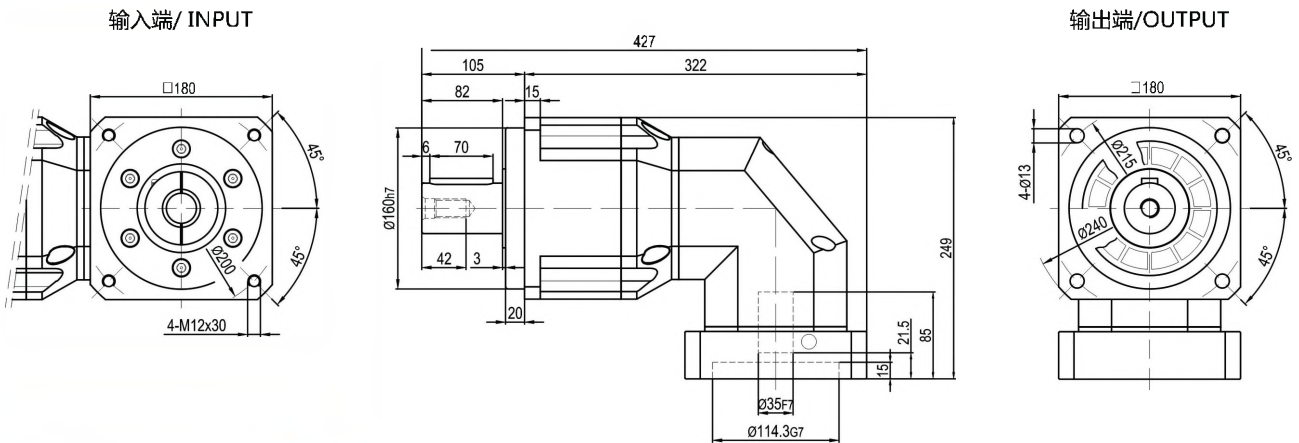


外形尺寸图表 / OUTLINE DIMENSION SHEET

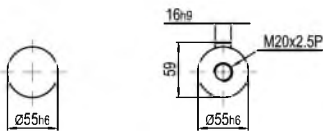
FABR-180-L1



FABR-180-L2



输出轴径/Output Diameter



轴型式 S1

轴型式 S2

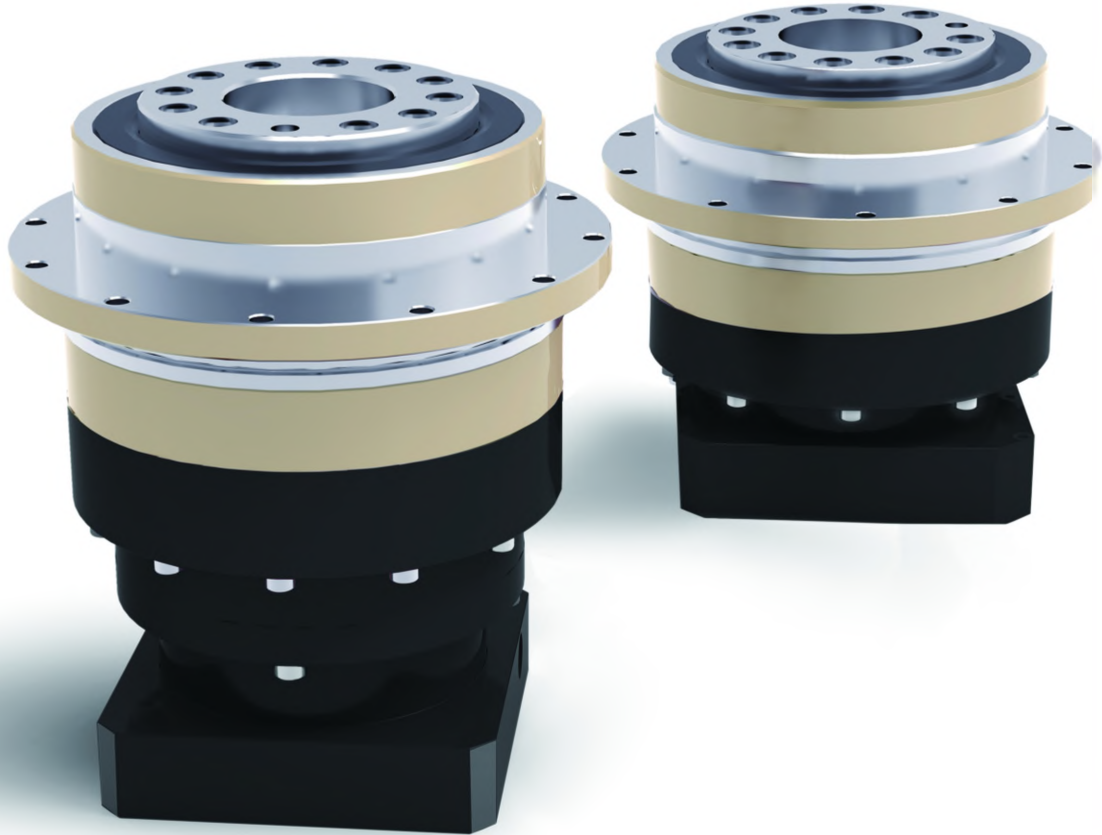
*输入马达连接板之尺寸,可根据客户要求单独定做。

*The input motor specific dimensions could be customised.



菲兰德
FEILANDE

FAD
SERIES



动力传动专业制造商

PROFESSIONAL MANUFACTURER OF POWER TRANSMISSION

设计理念: 遵循规律, 总是超越

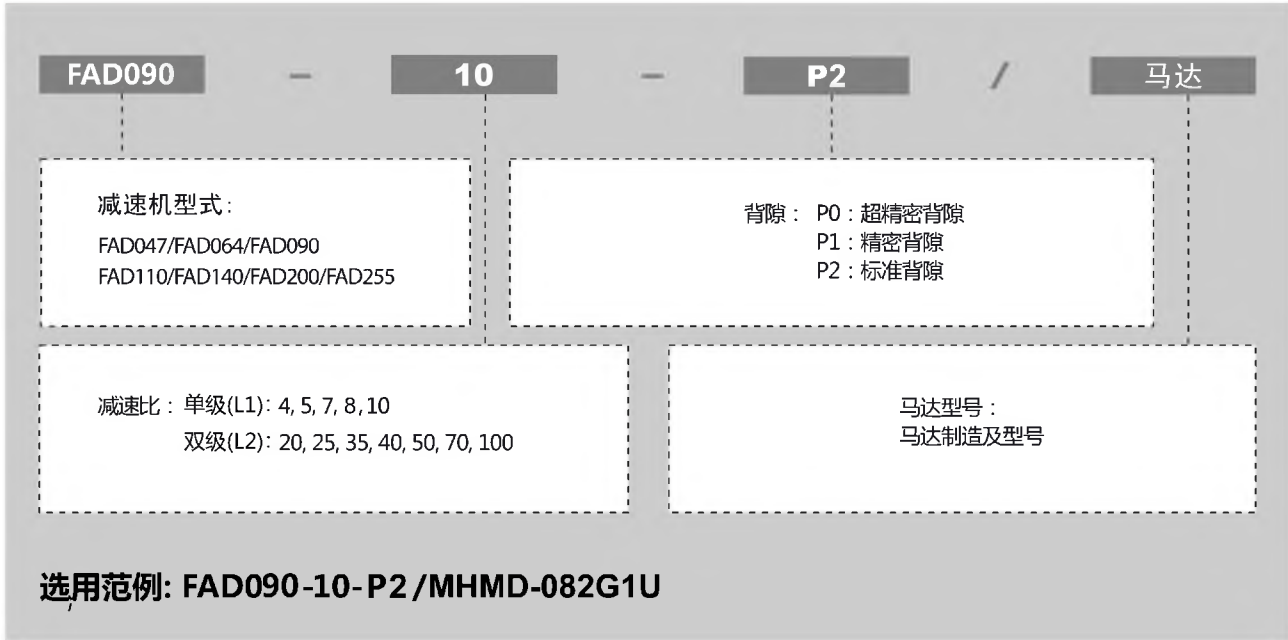
DESIGN PHILOSOPHY: To follow the law, but always beyond.

经营理念: 为客户需求而设计, 为客户满意而执着

BUSINESS PHILOSOPHY: Design for customer demand, dedication for customer satisfaction



型号说明 / MODEL ILLUMINATE



减速机性能资料 / GEAR BOX PERFORMANCE INFORMATION

| 规格 | 级数 | 减速比 ¹ | FAD047 | FAD064 | FAD090 | FAD110 | FAD140 | FAD200 | FAD255 | |
|--------------------------------------|-----------|------------------|--------|-------------|--------|--------|--------|--------|--------|--------|
| 额定输出力矩 T _{2N} | 1 | 4 | 19 | 48 | 130 | 270 | 560 | 1,100 | 1,700 | |
| | | 5 | 22 | 60 | 160 | 330 | 650 | 1,200 | 2,000 | |
| | | 7 | 19 | 35 | 140 | 300 | 550 | 1,100 | 1,800 | |
| | | 8 | 17 | 35 | 120 | 260 | 500 | 1,000 | 1,600 | |
| | | 10 | 14 | 23 | 48 | 140 | 370 | 520 | 1,220 | |
| | 2 | 20 | 19 | 48 | 130 | 270 | 560 | 1,100 | 1,700 | |
| | | 25 | 22 | 60 | 160 | 330 | 650 | 1,200 | 2,000 | |
| | | 35 | 22 | 60 | 160 | 330 | 650 | 1,200 | 2,000 | |
| | | 40 | 22 | 60 | 160 | 330 | 650 | 1,200 | 2,000 | |
| | | 50 | 22 | 60 | 160 | 330 | 650 | 1,200 | 2,000 | |
| | 70 | 19 | 35 | 140 | 300 | 550 | 1,100 | 1,800 | | |
| | 100 | 14 | 23 | 48 | 140 | 370 | 520 | 1,220 | | |
| 最大输出力矩 T _{2B} | Nm | 1,2 | 4~100 | 3倍额定输出力矩 | | | | | | |
| 额定输入转速 n ₁ | rpm | 1,2 | 4~100 | 5,000 | 5,000 | 4,000 | 4,000 | 3,000 | 3,000 | 2,000 |
| 最大输入转速 n _{1B} | rpm | 1,2 | 4~100 | 10,000 | 10,000 | 8,000 | 8,000 | 6,000 | 6,000 | 4,000 |
| 超精密背隙 P0 | arcmin | 1 | 4~10 | - | - | ≤1 | ≤1 | ≤1 | ≤1 | ≤1 |
| | | 2 | 20~100 | - | - | - | ≤3 | ≤3 | ≤3 | ≤3 |
| 精密背隙 P1 | arcmin | 1 | 4~10 | ≤3 | ≤3 | ≤3 | ≤3 | ≤3 | ≤3 | ≤3 |
| | | 2 | 20~100 | ≤5 | ≤5 | ≤5 | ≤5 | ≤5 | ≤5 | ≤5 |
| 标准背隙 P2 | arcmin | 1 | 4~10 | ≤5 | ≤5 | ≤5 | ≤5 | ≤5 | ≤5 | ≤5 |
| | | 2 | 20~100 | ≤7 | ≤7 | ≤7 | ≤7 | ≤7 | ≤7 | ≤7 |
| 扭转刚性 | Nm/arcmin | 1,2 | 4~100 | 7 | 13 | 31 | 82 | 151 | 440 | 1,006 |
| 最大弯曲力矩 M _{2kB} ² | Nm | 1,2 | 4~100 | 42.5 | 125 | 235 | 430 | 1,300 | 3,064 | 5,900 |
| 容许轴向力 F _{2a} ² | N | 1,2 | 4~100 | 1,080 | 2,110 | 2,310 | 4,800 | 6,200 | 5,450 | 10,600 |
| 使用寿命 | hr | 1,2 | 4~100 | 30,000* | | | | | | |
| 效率 η | % | 1 | 4~10 | ≥97% | | | | | | |
| | | 2 | 20~100 | ≥94% | | | | | | |
| 重量 | kg | 1 | 4~10 | 0.7 | 1.2 | 3.0 | 5.6 | 11.9 | 31.6 | 56.1 |
| | | 2 | 20~100 | 1.0 | 1.6 | 3.7 | 7.3 | 15.9 | 36.9 | 70.4 |
| 使用温度 | °C | 1,2 | 4~100 | -10°C~+90°C | | | | | | |
| 润滑 | | 1,2 | 4~100 | 合成润滑油脂 | | | | | | |
| 防护等级 | | 1,2 | 4~100 | IP65 | | | | | | |
| 安装方向 | | 1,2 | 4~100 | 任意方向 | | | | | | |
| 噪音值 (n ₁ =3000rpm) | dB | 1,2 | 4~100 | ≤56 | ≤58 | ≤60 | ≤63 | ≤65 | ≤67 | ≤70 |

减速机转动惯量

| 规格 | 级数 | 减速比 ¹ | FAD047 | FAD064 | FAD090 | FAD110 | FAD140 | FAD200 | FAD255 |
|---------------------|-----|------------------|--------|--------|--------|--------|--------|--------|--------|
| 转动惯量 J ₁ | 1 | 4 | 0.03 | 0.14 | 0.51 | 2.87 | 7.54 | 25.03 | 58.31 |
| | | 5 | 0.03 | 0.13 | 0.47 | 2.71 | 7.42 | 23.29 | 53.27 |
| | | 7 | 0.03 | 0.13 | 0.45 | 2.62 | 7.14 | 22.48 | 50.97 |
| | | 8 | 0.03 | 0.13 | 0.45 | 2.62 | 7.14 | 22.48 | 50.97 |
| | | 10 | 0.03 | 0.13 | 0.44 | 2.57 | 7.03 | 22.51 | 50.56 |
| | 2 | 20 | 0.03 | 0.03 | 0.13 | 0.47 | 2.71 | 7.42 | 23.29 |
| | | 25 | 0.03 | 0.03 | 0.13 | 0.47 | 2.71 | 7.42 | 23.29 |
| | | 35 | 0.03 | 0.03 | 0.13 | 0.47 | 2.71 | 7.42 | 23.29 |
| | | 40 | 0.03 | 0.03 | 0.13 | 0.44 | 2.57 | 7.03 | 22.51 |
| | | 50 | 0.03 | 0.03 | 0.13 | 0.44 | 2.57 | 7.03 | 22.51 |
| | 70 | 0.03 | 0.03 | 0.13 | 0.44 | 2.57 | 7.03 | 22.51 | |
| | 100 | 0.03 | 0.03 | 0.13 | 0.44 | 2.57 | 7.03 | 22.51 | |

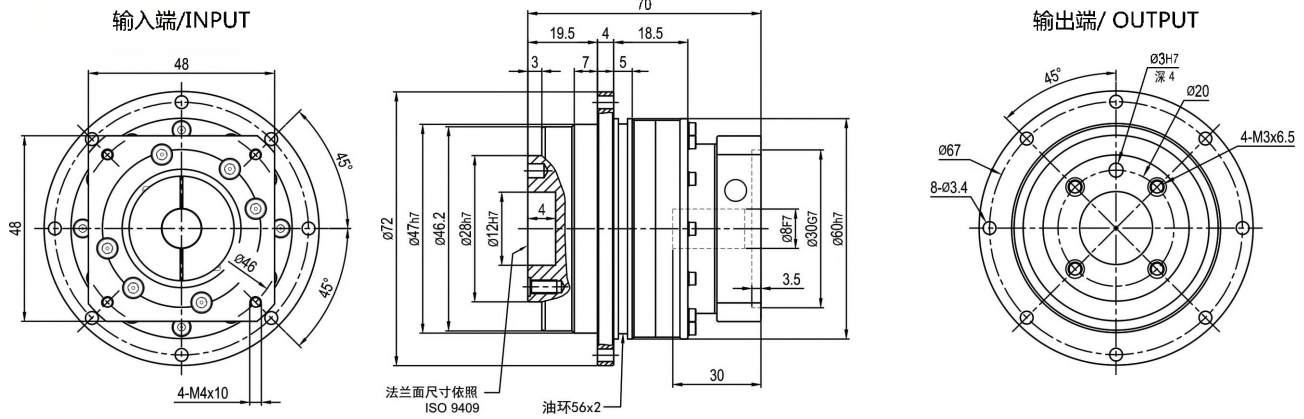
1. 减速比(i=N_{in}/N_{out})

*连续运转降低使用寿命二分之一。

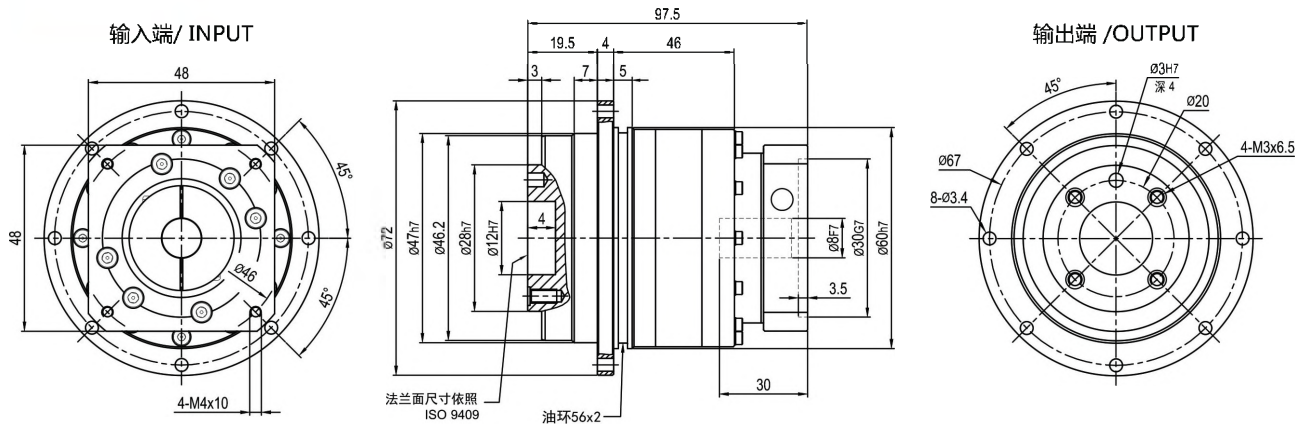
2. 输出转速 100 rpm时, 作用于输出法兰位置。

外形尺寸图表 / OUTLINE DIMENSION SHEET

FAD-047-L1



FAD-047-L2

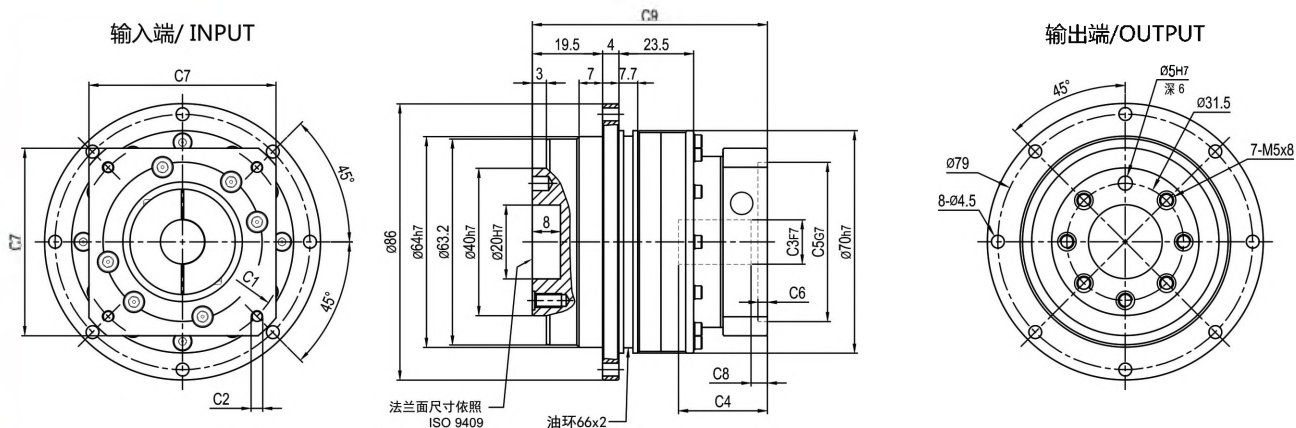


*输入马达连接板之尺寸,可根据客户要求单独定做。

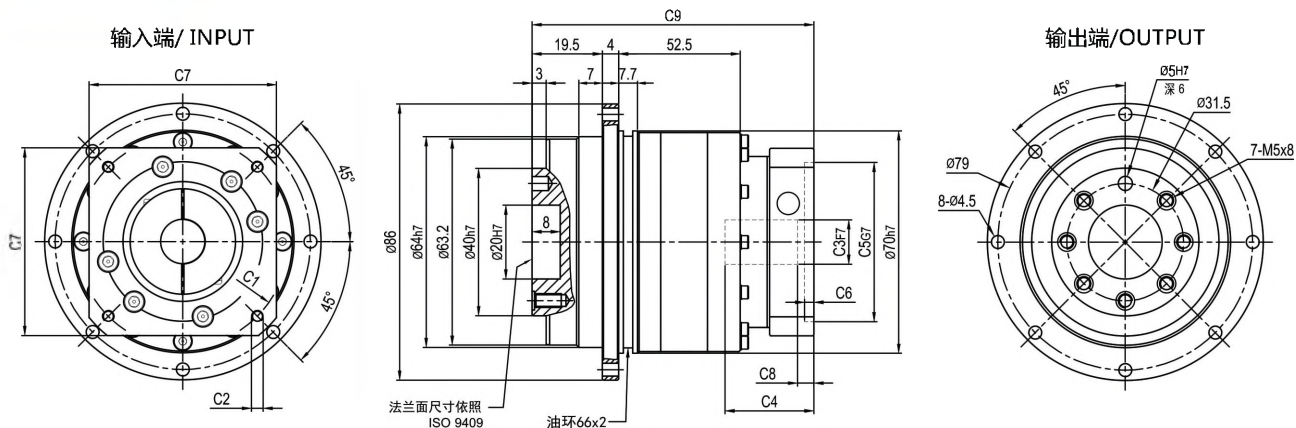
*The input motor specific dimensions could be customised.

外形尺寸图表 / OUTLINE DIMENSION SHEET

FAD-064-L1



FAD-064-L2

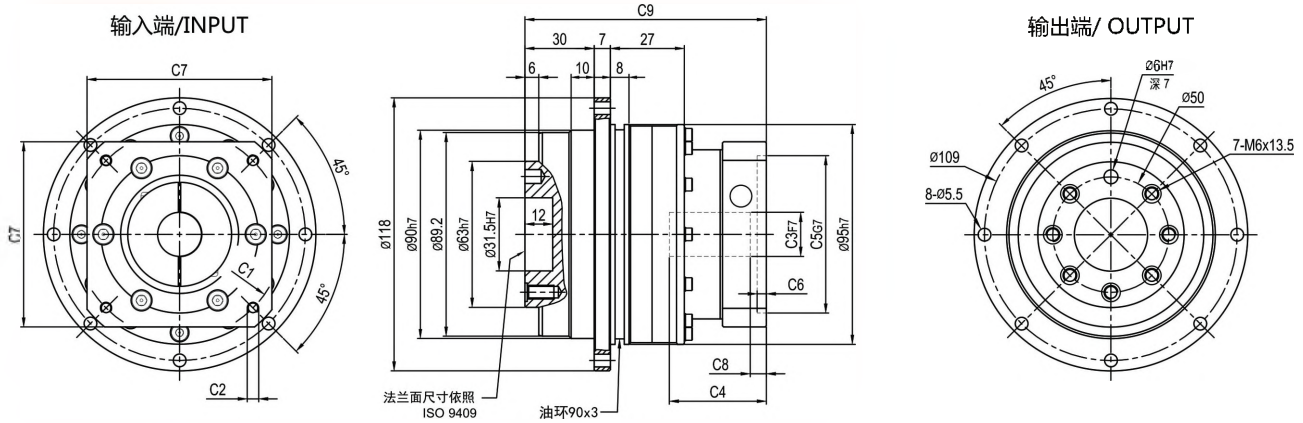


| 尺寸 | C1 | C2 | C3 | C4 | C5 | C6 | C7 | C8 | C9 |
|------------|-----|------------------|----------|----|-----|----|----|-----|------|
| FAD-064-L1 | Ø70 | 4-M4x10, 4-M5x12 | Ø11, Ø14 | 35 | Ø50 | 5 | 60 | 7.5 | 82.5 |
| FAD-064-L2 | | | | | | | | | 108 |

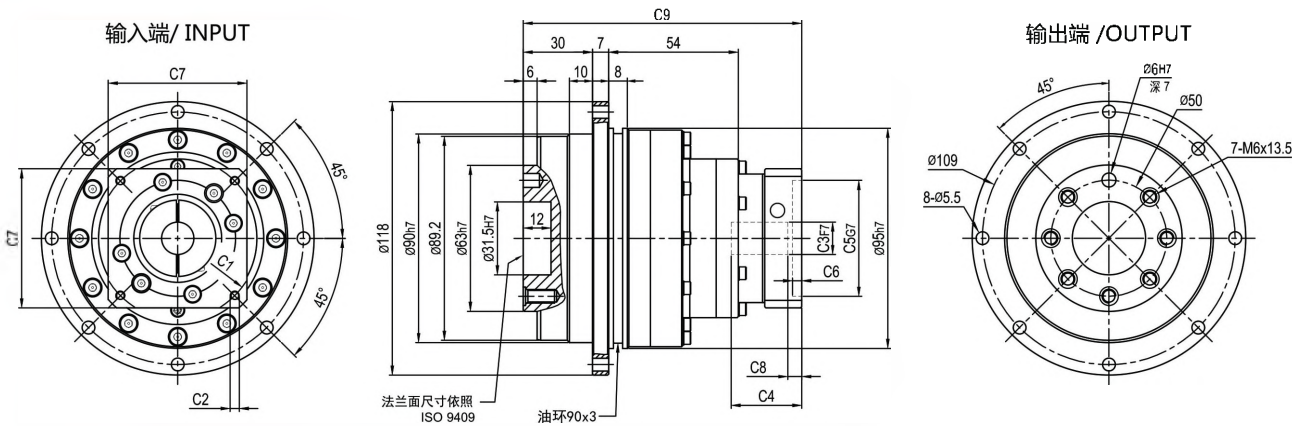
* C1-C7是公制标准马达连接板之尺寸, 可根据客户要求单独定做。
* C1-C7 are motor (metric standard) specific dimensions, which could be customised.

外形尺寸图表 / OUTLINE DIMENSION SHEET

FAD-090-L1



FAD-090-L2



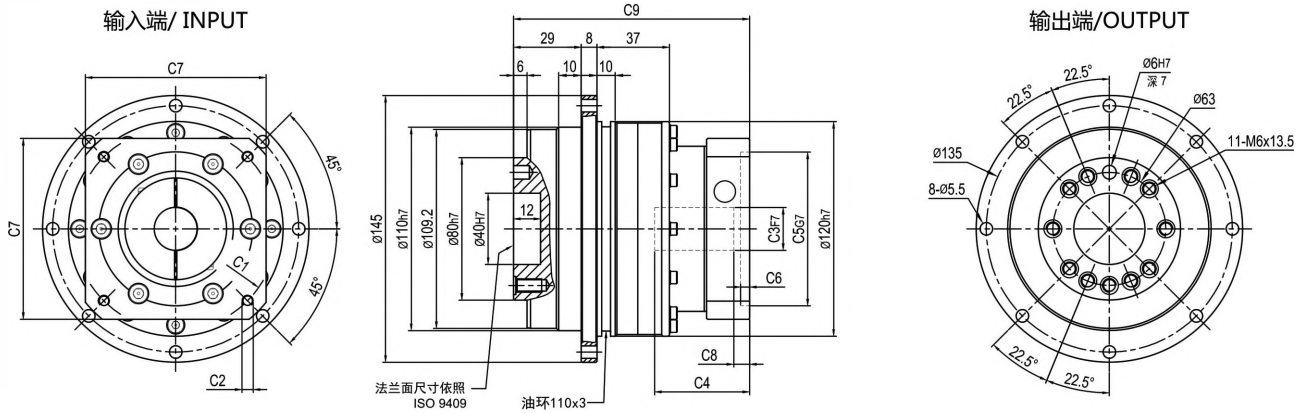
| 尺寸 | C1 | C2 | C3 | C4 | C5 | C6 | C7 | C8 | C9 |
|------------|------|------------------|-------------|------|------|----|-----|------|-------|
| FAD-090-L1 | Ø90 | 4-M5x12, 4-M6x12 | Ø19 | 47 | Ø70 | 7 | 80 | 8.5 | 104.5 |
| | Ø145 | 4-M8x25 | Ø19,Ø22,Ø24 | 60 | Ø110 | 11 | 130 | 20.5 | 117.5 |
| FAD-090-L2 | Ø70 | 4-M4x10, 4-M5x12 | Ø11,Ø14 | 34.5 | Ø50 | 5 | 60 | 7 | 122.5 |

* C1~C7是公制标准马达连接板之尺寸,可根据客户要求单独定做。

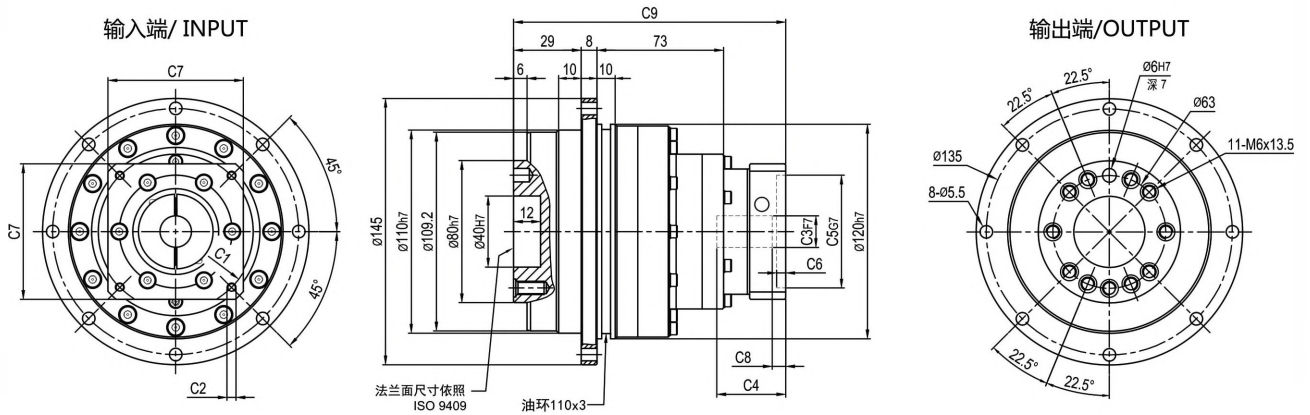
* C1~C7 are motor (metric standard) specific dimensions, which could be customised.

外形尺寸图表 / OUTLINE DIMENSION SHEET

FAD-110-L1



FAD-110-L2



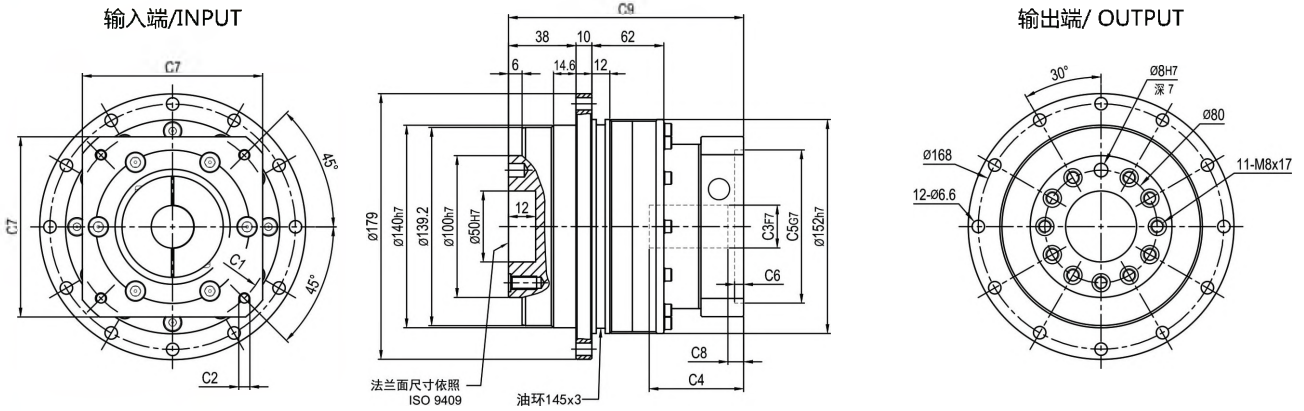
| 尺寸 | C1 | C2 | C3 | C4 | C5 | C6 | C7 | C8 | C9 |
|------------|------|------------------|-------------|----|------|----|-----|------|-------|
| FAD-110-L1 | Ø145 | 4-M8x25 | Ø19,Ø22,Ø24 | 64 | Ø110 | 11 | 130 | 19 | 135 |
| FAD-110-L2 | Ø90 | 4-M5x12, 4-M6x12 | Ø19 | 47 | Ø70 | 7 | 80 | 8.5 | 149.5 |
| | Ø145 | 4-M8x25 | Ø19,Ø22,Ø24 | 60 | Ø110 | 11 | 130 | 20.5 | 162.5 |

* C1~C7是公制标准马达连接板之尺寸,可根据客户要求单独定做。

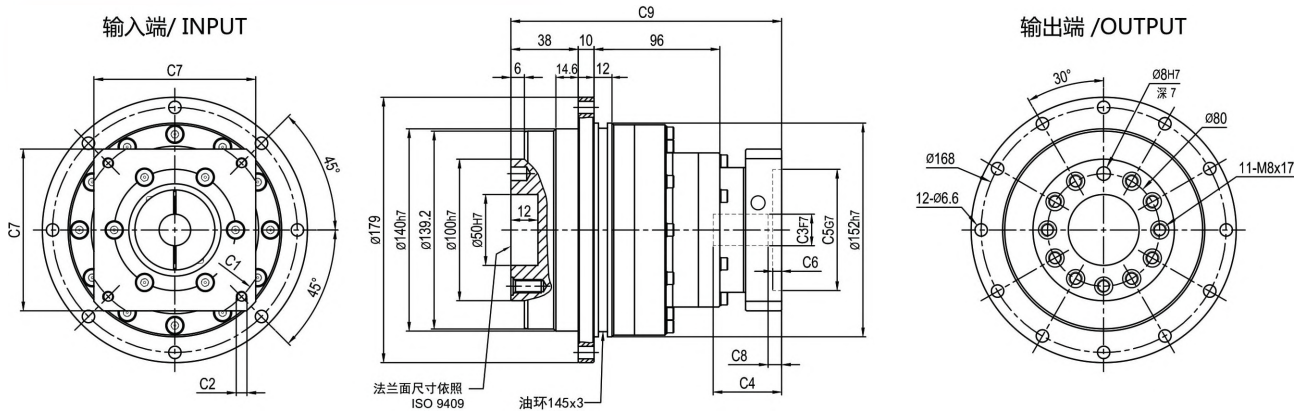
* C1~C7 are motor (metric standard) specific dimensions, which could be customised.

外形尺寸图表 / OUTLINE DIMENSION SHEET

FAD-140-L1



FAD-140-L2



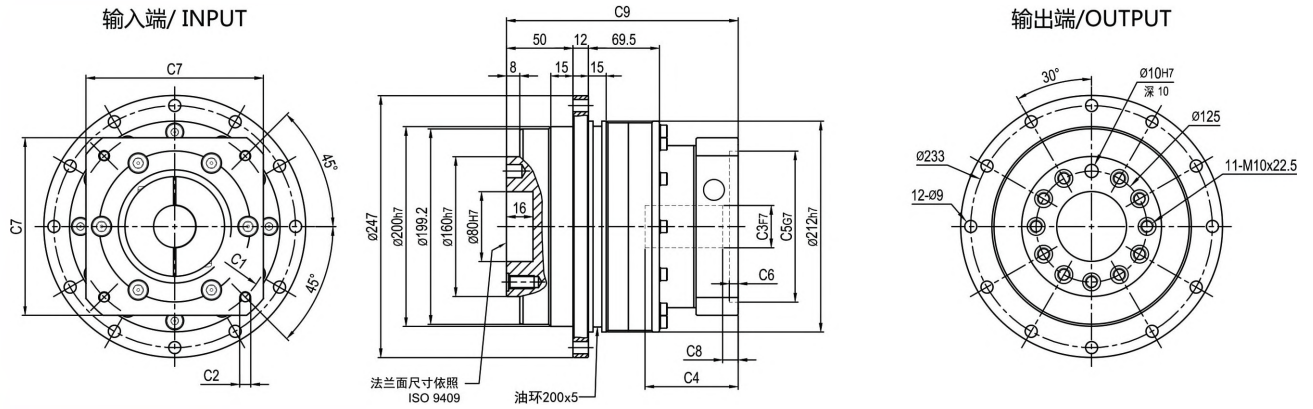
| 尺寸 | C1 | C2 | C3 | C4 | C5 | C6 | C7 | C8 | C9 |
|------------|------|----------|-------------|----|--------|----|-----|----|-------|
| FAD-140-L1 | Ø145 | 4-M8x25 | Ø22,Ø24 | 75 | Ø110 | 11 | 130 | 19 | 164 |
| | Ø200 | 4-M12x30 | Ø35 | 83 | Ø114.3 | 8 | 180 | 27 | 172 |
| FAD-140-L2 | Ø145 | 4-M8x25 | Ø19,Ø22,Ø24 | 64 | Ø110 | 11 | 130 | 19 | 205.5 |

* C1~C7是公制标准马达连接板之尺寸,可根据客户要求单独定做。

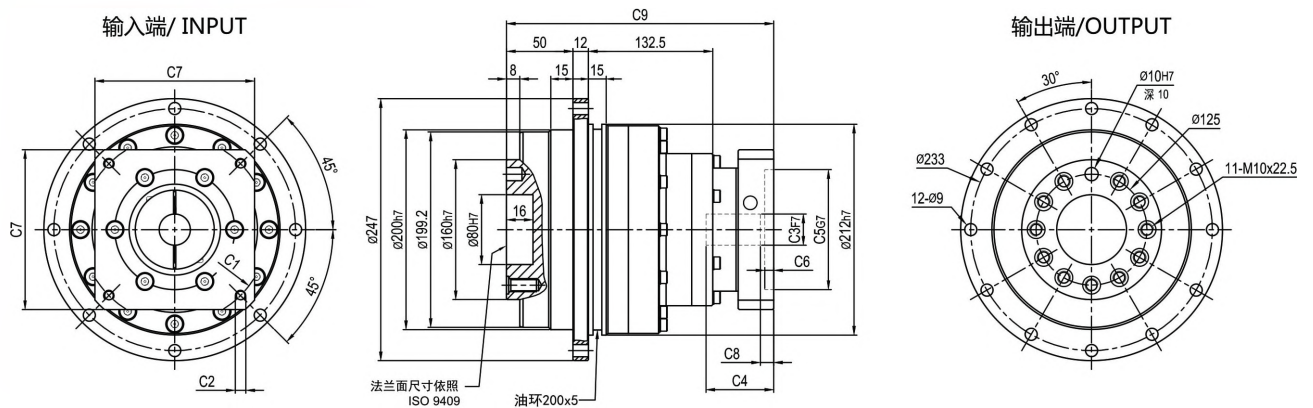
* C1~C7 are motor (metric standard) specific dimensions, which could be customised.

外形尺寸图表 / OUTLINE DIMENSION SHEET

FAD-200-L1



FAD-200-L2



| 尺寸 | C1 | C2 | C3 | C4 | C5 | C6 | C7 | C8 | C9 |
|------------|------|----------|---------|----|--------|----|-----|----|-------|
| FAD-200-L1 | Ø165 | 4-M10x25 | Ø32 | 85 | Ø130 | 6 | 155 | 10 | 199.5 |
| | Ø200 | 4-M12x28 | Ø35 | 85 | Ø114.3 | 6 | 180 | 10 | 199.5 |
| FAD-200-L2 | Ø145 | 4-M8x25 | Ø22,Ø24 | 75 | Ø110 | 11 | 130 | 19 | 256.5 |
| | Ø200 | 4-M12x30 | Ø35 | 83 | Ø114.3 | 8 | 180 | 27 | 264.5 |

* C1~C7是公制标准马达连接板之尺寸,可根据客户要求单独定做。

* C1~C7 are motor (metric standard) specific dimensions, which could be customised.